



QUALITY PRODUCTS AT AFFORDABLE PRICE

36" HYDRAULIC GROOMING TABLE



Model: GB36HYT

INCLUDED:

- (4) Leg levelers
- Storage space
- (2) Shear holes

Groomer's Best Hydraulic Grooming Table is top of the line for foot hydraulic tables.

Constructed with 14-gauge powder coated steel, it is made to last a lifetime. Simply pump the foot pedal to easily adjust anywhere from 20" to 40". Our textured, non-slip table top is steel reinforced for maximum strength and durability for your grooming arms. Includes storage space for your shears and tools on both sides. Easy to set up and use. Grooming arms and accessories available. Table top available in black, grey, tan, pink, purple or can be ordered in a custom color to match your décor. *Custom color for table TOP only available at an extra fee. Ships fully assembled!*

Features:

- Height adjusts from 20" to 40".
- Storage for shears and tools.
- Foot pedal operated by a heavy duty hydraulic pump.
- Attractive powder coat finish.
- Reinforced, non-slip table top 24" to 36".
- No assembly needed.
- Grooming arms and accessories optional.
- Handcrafted in the USA.
- Three year warranty.



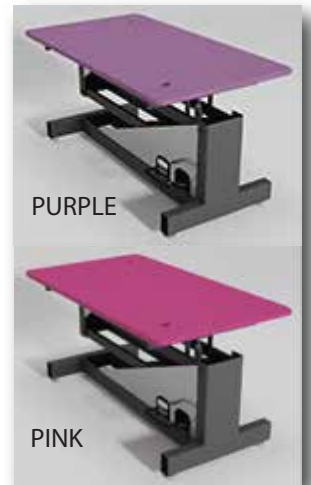
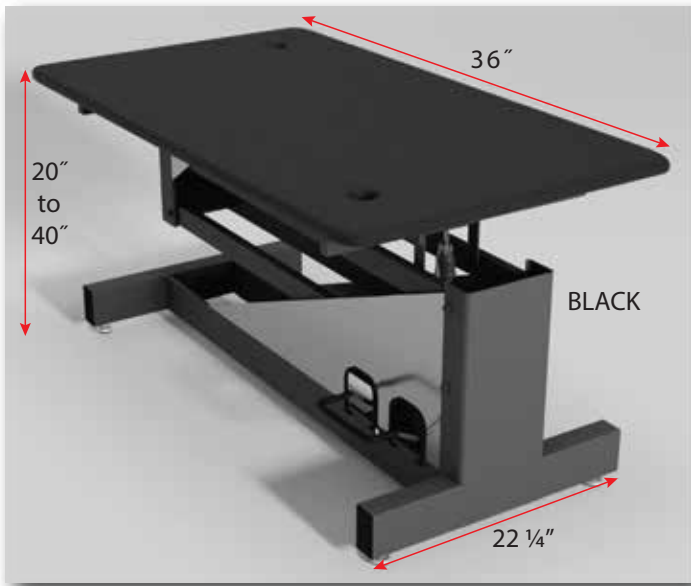
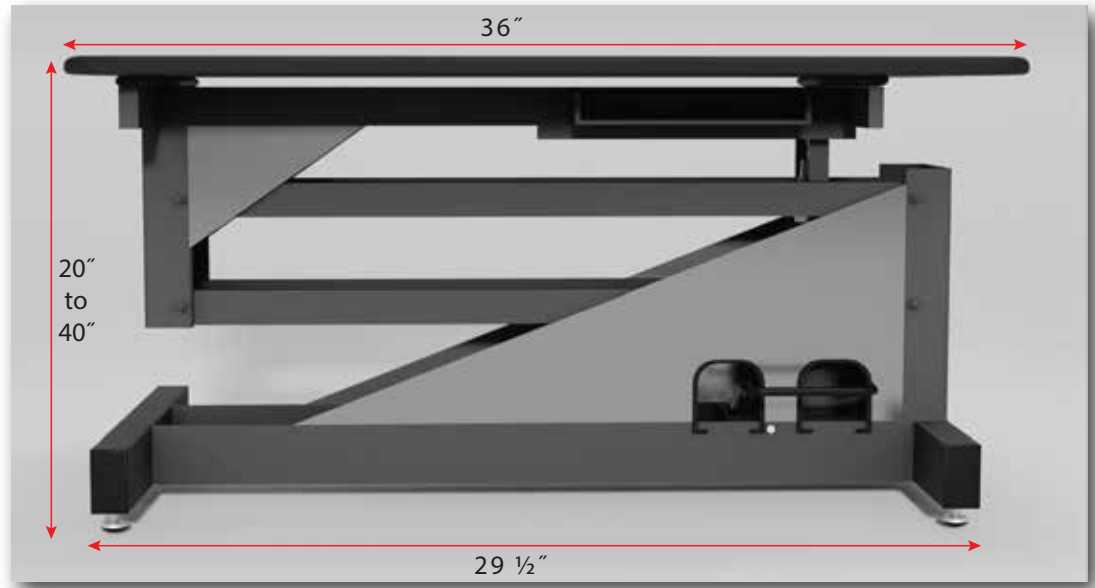
605-582-3013 | customerservice@groomersbest.com

www.groomersbest.com



©2021 Groomer's Best, Inc.
All Rights Reserved.

Textured
non-slip
table top
available in
five colors.



Groomer's Best, Inc.
616 S Sioux Blvd
Brandon, SD 57005

www.groomersbest.com
www.sportsmansbest.com
www.bestutilitysink.com

