



QUALITY PRODUCTS AT AFFORDABLE PRICE

36"/48" MOBILE UTILITY CART



Model: GB36MUC
Model: GB48MUC

INCLUDED:

- (4) Locking casters
- (1) Adjustable shelf

The Groomer's Best Mobile Utility Cart is optimal for everyday use.

Perfect for grooming, transporting animals or extra storage. The top shelves of the utility cart have a flush surface that allows items to slide onto or off of the shelf when the cart are being loaded and unloaded. Bottom shelf included to maximize storage.

Constructed of heavy duty 18 gauge 304 stainless steel..

Set of four locking casters included. Ships unassembled.

Features:

- 304 type 18-gauge stainless steel top with stainless steel reinforcement beam.
- 4 Stainless Steel Legs.
- 36" or 48" wide, 22" deep, 36.5" high.
- Adjustable stainless steel shelf.
- Locking casters.
- Handcrafted in the USA.
- Three year warranty.

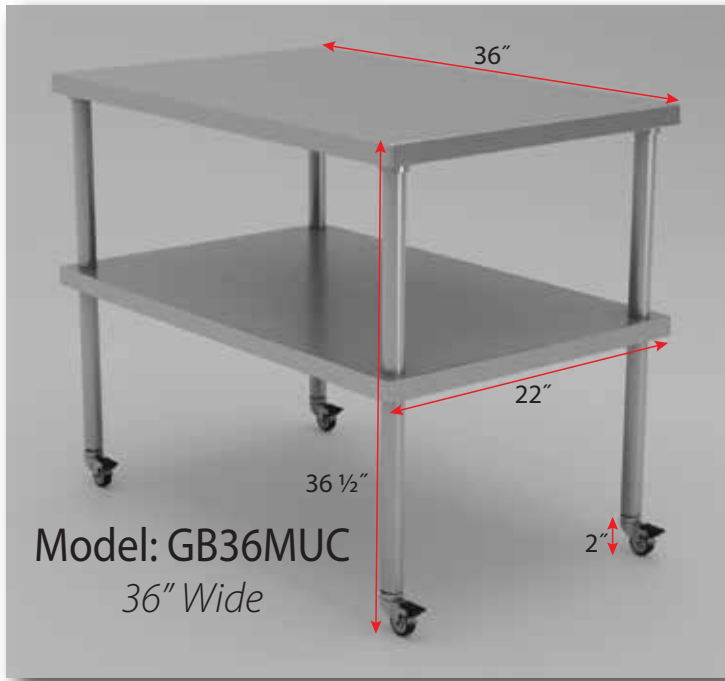


605-582-3013 | customerservice@groomersbest.com

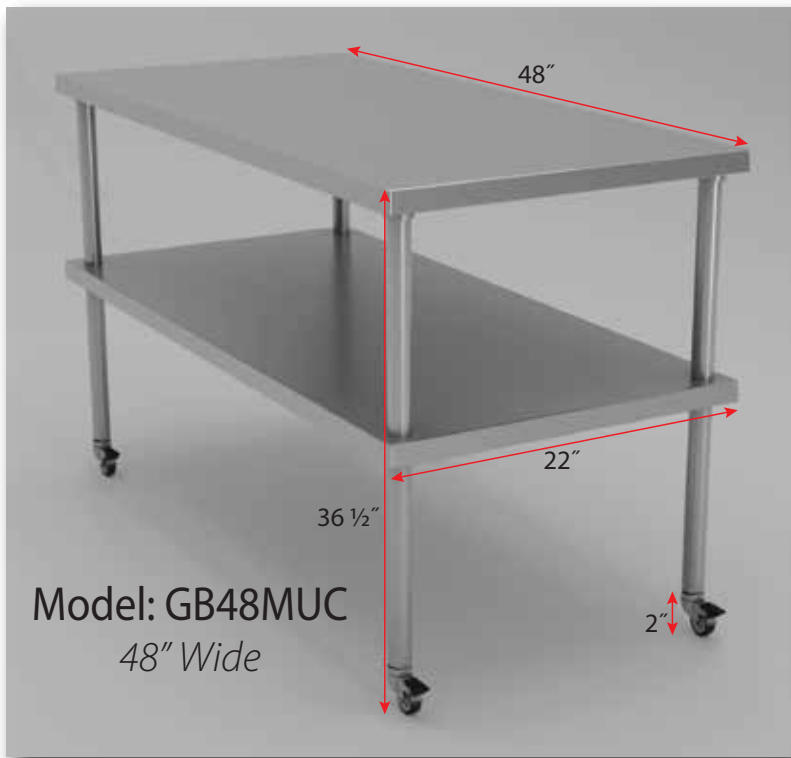
www.groomersbest.com



©2021 Groomer's Best, Inc.
All Rights Reserved.



Sanitary 304 Stainless Steel Construction
Hygienic and extremely durable.



Groomer's Best, Inc.
616 S Sioux Blvd
Brandon, SD 57005

www.groomersbest.com
www.sportsmansbest.com
www.bestutilitiesink.com